

TAF100 – Sanitary Temperature Transmitter



- ▶ For sanitary applications, like food industry
- ▶ Measuring range -50°C...200°C, customized available
- ▶ 4...20mA current analog output
- ▶ HART protocol optional
- ▶ Tri-clamp connection for sanitation applications
- ▶ Optional 4-digit LED/LCD display
- ▶ Metal housing



TAF100 is designed specifically for food and Pharmaceutical industry, equipping with PT1000 class A thermal resistance for temperature measuring. Output signal is processed to standard electrical signal. Metal housing; tri-clamp connection; optional HART protocol; optional 4-digit LED/LCD display.

Specifications

Power Supply	10...30Vdc
Current Consumption	Same as current output (2-wire 4...20mA)
2-wire Current Output	
Output	2-wire 4...20mA
Load RA(Ω)	$RA \leq (U_s - 10)V / 0.02A$
Linearity	$\leq \pm 0.2\%$ of F.S.
Sensor	PT1000 Class A
Accuracy	$\leq \pm 0.2\%$ of F.S.
Temperature	
Medium(Measuring Range)	-50...200°C (measuring range customizable)
Ambient	-30...100°C
Storage	-30...140°C
Pressure Rating	200bar
Material	
Housing	304 stainless steel
Wetted Parts	316L stainless steel
Protection Class	IP67
Electrical Connection	M12x1 plug

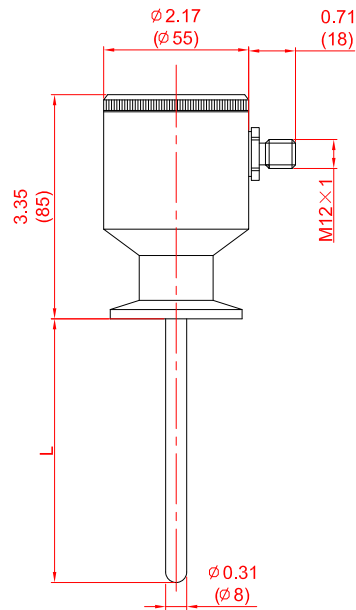
Applications

- ▶ Food industry
- ▶ Pharmaceutical industry
- ▶ Beverage industry
- ▶ Biotechnology industry
- ▶ Cosmetics industry

Wiring

Wiring	4...20mA (2-wire)									
<p>M12x1 Plug</p> <table border="1" style="margin-left: 20px;"> <thead> <tr> <th>Signal</th> <th>Plug</th> <th>Cable</th> </tr> </thead> <tbody> <tr> <td>U+</td> <td>1</td> <td>Brown</td> </tr> <tr> <td>U-</td> <td>3</td> <td>Blue</td> </tr> </tbody> </table>	Signal	Plug	Cable	U+	1	Brown	U-	3	Blue	
Signal	Plug	Cable								
U+	1	Brown								
U-	3	Blue								

Dimensions in inches (mm)



Order Code

TAF :	Sanitary temperature transmitter
100 :	Series#
Measuring range :	C0-100=0...100°C C0-150=0...150°C C-50-100= -50...100°C C-50-200= -50...200°C (with gooseneck tube)
Note:	Use FAA-BBBB for Fahrenheit, in which AA, BBBB are lower and upper limit respectively. (customized measuring range acceptable, refer to dimensions for gooseneck tube)

TAF	100	C-50-200/	42	DN25/	100	D08
------------	------------	------------------	-----------	--------------	------------	------------

42 : 4...20mA

HT : With HART protocol output

Process connection

DN25 : Sanitary tri-clamp Diameter 50.5mm

Probe length L (15 ≤ L ≤ 1500mm)

e.g. : 100=100mm

Probe diameter D

D06=6mm (length L ≤ 1000mm)

D08=8mm