

TA400 – Temperature Transmitter



- ▶ General purpose model
- ▶ Measuring range from -200°C to 600°C, customized available
- ▶ 4...20mA current analog output
- ▶ Optional HART protocol
- ▶ Process connections selectable
- ▶ Optional 4-digit LED/LCD display
- ▶ Metal housing

Temperature transmitter TA400 equips with a PT1000 for temperature measuring. Output is processed to standard electrical signal. Metal housing; optional HART protocol; optional 4-digit LED/LCD display.



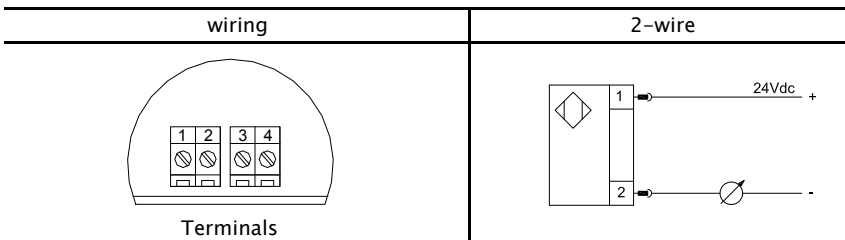
Specifications

Power Supply	10...30Vdc
Current Consumption	Same as current output (2-wire 4...20mA)
2-wire Current Output	
Output	2-wire 4...20mA
Load RA(Ω)	$RA \leq (U_s - 10)V / 0.02A$
Linearity	$\leq \pm 0.5\%$ of F.S.
Sensor	PT1000 Class A
Accuracy	$\leq \pm 0.2\%$ of F.S.
Temperature	
Medium(Measuring Range)	-200...600°C (measuring range customizable)
Ambient	-40...85°C
Storage	-40...85°C
Pressure Rating	100bar
Material	
Housing	Casted aluminum, stainless steel
Wetted Parts	316 stainless steel
Protection Class	IP65
Electrical Connection	Terminals

Applications

- ▶ Circulating water/Cooling liquids
- ▶ Steel industry
- ▶ Oil field
- ▶ Machinery manufacturing
- ▶ Water treatment
- ▶ Glass industry

Wiring



Dimensions in inches (mm)

Probe with gooseneck tube for

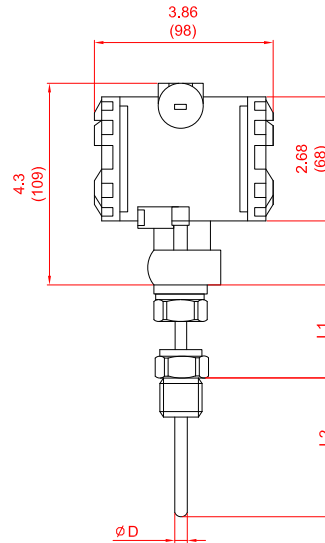
high temperature, apply to:

TA400...C-50-200

TA400...C-50-400

TA400...C-50-600

TA400...C-200-600



Upper Limit	L1	
	inch	mm
100°C	0	0
400°C	1.97	50
600°C	3.94	100

Order Code

TA :	Temperature transmitter
400 :	Series# - general purpose model
Measuring range :	C-50-100= -50...100°C C-50-200= -50...200°C (with gooseneck tube) C-50-400= -50...400°C (with gooseneck tube) C-50-600= -50...600°C (with gooseneck tube) C-200-600= -200...600°C (with gooseneck tube)
Note:	Use FAA-BBBB for Fahrenheit, in which AA, BBBB are lower and upper limit respectively.(customized measuring range acceptable, refer to dimensions for gooseneck tube)

TA	400/	C-50-200	42	G12M	100	D08
-----------	-------------	-----------------	-----------	-------------	------------	------------

42 :	4...20mA
HT :	With HART protocol output
Process connection	
G12M :	G1/2 male thread
G01M :	G1 male thread
N12M :	1/2"NPT male thread
N01M :	1"NPT male thread
Probe length L2	
	100=100mm (25≤L2≤2500mm)
Probe diameter D	
	D06=6mm (length L≤1000mm)
	D08=8mm
	D12=12mm
	D15=15mm

TEMPERATURE