

TA200 – Temperature Transmitter for High Temperature



- ▶ Standard model
- ▶ Measuring range from -200°C to 600°C, customized available
- ▶ 4...20mA current analog output
- ▶ Optional HART protocol
- ▶ Process connections selectable
- ▶ Rotatable indicator
- ▶ Metal housing



Temperature transmitter for high temperature TA200 equips with a PT1000 for temperature measuring. Output is processed to standard electrical signal. Metal housing; Optional HART; Rotatable indicator.

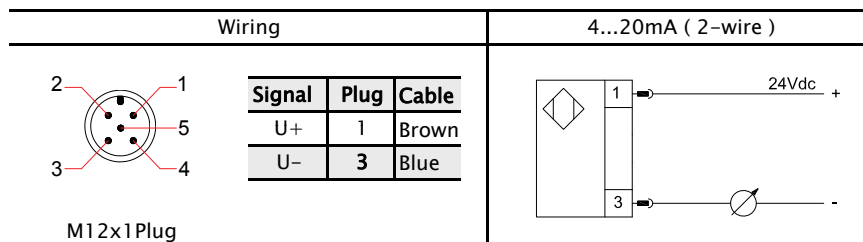
Specifications

Power Supply	10...30Vdc
Current Consumption	Same as current output (2-wire 4...20mA)
2-wire Current Output	
Output	2-wire 4...20mA
Load RA(Ω)	$RA \leq (U_s - 10)V / 0.02A$
Linearity	$\leq \pm 0.5\%$ of F.S.
Sensor	PT1000 Class A
Accuracy	$\leq \pm 0.5\%$ of F.S.
Temperature	
Medium(Measuring Range)	-200...600°C (customized measuring range available)
Ambient	-40...+85°C
Storage	-40...+85°C
Material	
Housing	Casted aluminum
Wetted Parts	304 stainless steel (optional 316 stainless steel)
Protection Class	IP65
Electrical Connection	M12x1 Plug

Applications

- ▶ Engineering
- ▶ Heating and cooling circuits
- ▶ Air condition technology
- ▶ Hydraulics

Wiring



Dimensions in inches (mm)

Probe with gooseneck tube for high temperature, apply to:

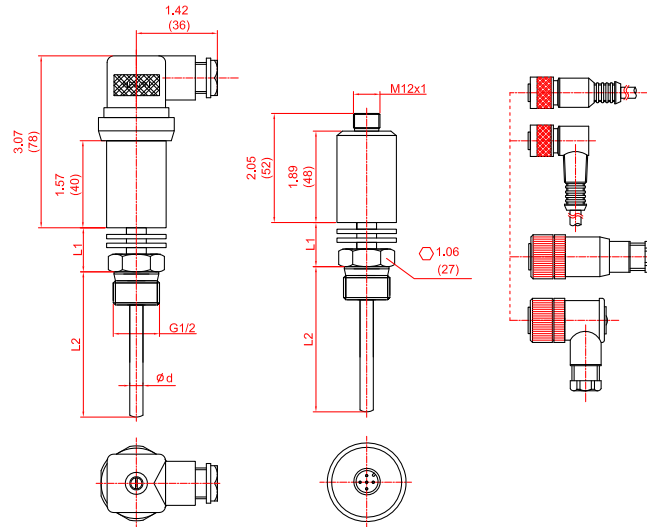
TA200...C-50-200

TA200...C-50-400

TA200...C-50-600

TA200...C-200-600

Upper Limit	L1	
	inch	mm
150°C	0	0
400°C	1.97	50
600°C	3.94	100



Order Code

TA : Temperature transmitter
200 : Series# - High temperature model
Measuring range : C-50-100= -50...100°C
 C-50-200= -50...200°C (with gooseneck tube)
 C-50-400= -50...400°C (with gooseneck tube)
 C-50-600= -50...600°C (with gooseneck tube)
 C-200-600= -200...600°C (with gooseneck tube)
 Note: Use FAA-BBBB for Fahrenheit, in which AA, BBBB are lower and upper limit respectively.
 (Customized measuring range acceptable, refer to dimensions for gooseneck tube)

TA	200/	C-50-100	02/	42	HT	G12M	100	D08
----	------	----------	-----	----	----	------	-----	-----

02 : 2-wire

03 : 3-wire

42 : 4...20mA

HT: With HART protocol output

- : None

Process connection

G12M : G1/2 male thread

G01M : G1 male thread

N12M : 1/2"NPT male thread

N01M : 1"NPT male thread

Probe length L2 (25≤L2≤2500mm)

e.g. : 100=100mm

Probe diameter D

D06=6mm (length L≤1000mm)

D08=8mm

D12=12mm

D15=15mm