

LP100/LP110/LP120—Submersible Hydrostatic Level Meter

- ▶ Compact/anti-block/standard models available
- ▶ Optional Teflon coating for corrosive medium
- ▶ Measuring range from 0...0.05bar to 0... 25bar
- ▶ Protection class IP68
- ▶ 2-wire or 3-wire selectable
- ▶ Multiple outputs selectable
- ▶ Stainless steel housing



LP1x0 series Submersible Hydrostatic Level Meter equips with a diffused silicon pressure sensor(LP100/LP110) or ceramic capacitance pressure sensor(LP120) to detect the change of the liquid level pressure, which is processed and output as standard electrical signals. Metal housing, compact design, multiple outputs, good for non-crystalline medium.

LP100 – standard model, for most of applications.

LP110 – compact model, for applications with limited mounting space.

LP120 – high accuracy, anti-blocking model, for viscous medium.

Teflon coating is available for all these models.

Specifications

Measuring Range	From 0...0.5bar to 0...25bar
Overpressure	1.5 x F.S.
Power Supply	12...30Vdc
Current Consumption	
2-wire	Same as current output (4...20mA)
3-wire	≤20mA
2-wire Current Analog Output	
Output	2-wire 4...20mA
Load RA(Ω)	RA≤(Us-10)V/0.02A
3-wire Voltage Analog Output	
Output	3-wire 0...5V, 1...5V, 0...10V
Load RA(Ω)	RA≥5K
Accuracy	
LP100/LP120	≤±0.5% F.S.; optional ≤0.25% F.S.
LP110	≤±0.5% F.S.
Stability(Drift/Year)	≤±0.02% F.S.
Temperature	
Medium	-40...+85℃
Ambient	-40...+85℃
Storage	-40...+125℃
Material	
Cable	PUR
Wetted Parts	316 stainless steel, teflon coating (corrosion resistant)
Protection Class	IP68
Electrical Connection	Cable outlet (cable length customized available)

Applications

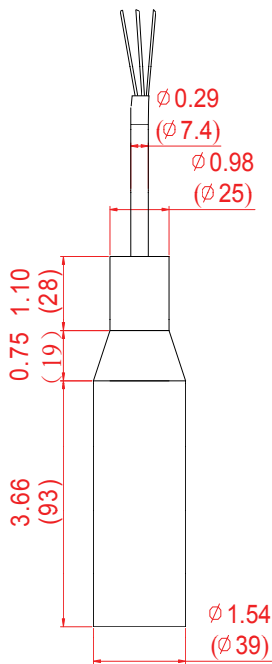
- ▶ Open containers
- ▶ Tank
- ▶ Pool
- ▶ Reservoir

LEVEL

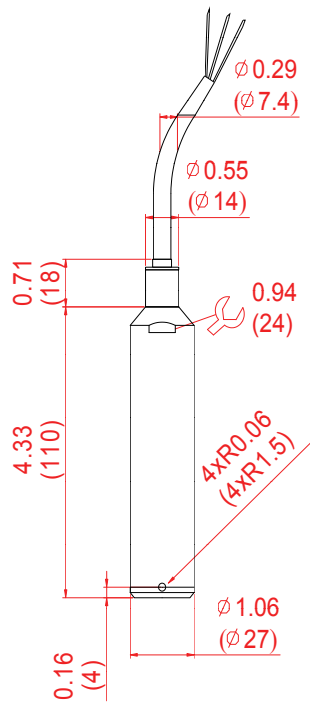
Wiring

Wiring	2-wire	3-wire												
<table border="1"> <thead> <tr> <th>Signal</th> <th>Plug</th> <th>Cable</th> </tr> </thead> <tbody> <tr> <td>U+</td> <td>1</td> <td>Brown</td> </tr> <tr> <td>output*</td> <td>2*</td> <td>White*</td> </tr> <tr> <td>U-</td> <td>3</td> <td>Blue</td> </tr> </tbody> </table> <p>* Only for 3-wire</p>	Signal	Plug	Cable	U+	1	Brown	output*	2*	White*	U-	3	Blue		
Signal	Plug	Cable												
U+	1	Brown												
output*	2*	White*												
U-	3	Blue												

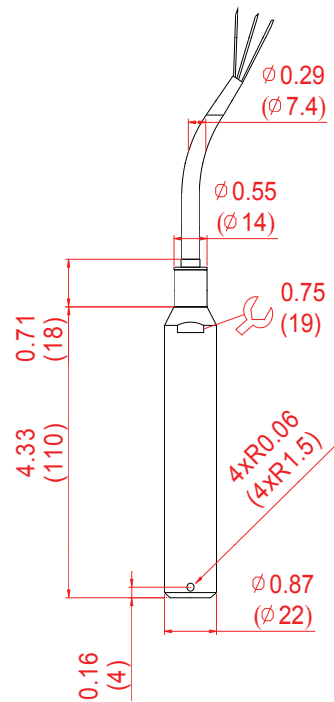
Dimensions in inches (mm)



LP120



LP100



LP110

Order Code

LP :	Hydrostatic level meter
100 :	Series# – submersible standard
110 :	Series# – submersible compact
120 :	Series# – submersible anti-blocking
Measuring Range :	Note : LP120 is the only choice if measuring range is less than 0.1bar. B0.05=0...0.05bar, B0.07=0...0.07bar, B0.1=0...0.1 bar, B0.2=0...0.2bar, B0.5=0...0.5bar, B0.7=0...0.7bar, B01=0...1 bar, B02=0...2bar,B05=0...5bar, B07=0...7bar, B10=0...10bar, B15=0...15bar, B17=0...17bar, B25=0...25bar
Note:	If you want use psi as unit, use Pxxxx: P for psi while xxxx is the measuring range.
S :	Housing material 316 stainless steel
T :	Housing material 316 stainless steel + Teflon coating (Corrosion resistant)

LP	100	B001	S	42	10
-----------	------------	-------------	----------	-----------	-----------

- 42 :** 4...20mA (2-wire or 3-wire)
- 05 :** 0...5V (only for 3-wire)
- 15 :** 1...5V (only for 3-wire)
- 01 :** 0...10V (only for 3-wire)

Cable length L
1...300m (customized available)

Sepecial Order on Request

- ▶ Measuring range
- ▶ Electrical and / or process connection
- ▶ HART protocol