

LW200 – Float Level Switch

- ▶ Container inner pressure has no impact on measuring
- ▶ Up to 4 switching points (4 floats)
- ▶ NC / NO programmable
- ▶ Easy to use, applicable to various medium
- ▶ Stainless steel wetted parts
- ▶ Measuring range up to 2m



With liquid level fluctuation, a magnetic float triggers the switch inside of the tube.

Specifications

Measuring Range (Rod length L)	250mm/ 500mm/ 750mm/1000mm/1500mm
	2000mm/ others customizable
Hysteresis	2% of F.S.
Applicable Medium	Corrosive liquids compatible with 304stainless steel
Pressure Rating	20bar
Medium Density	$\geq 0.7\text{g/cm}^3$
Temperature	
Operating/Medium	-20...80°C / -20...100°C
Storage	-30...+80°C
Materials	
Electrical Head	Cast aluminium
Process Connection /Tube/Float	304 stainless steel (316 stainless steel or PTEE customizable)
Protection Class	IP65
Electrical Connection	M12×1 plug, solenoid plug

Applications

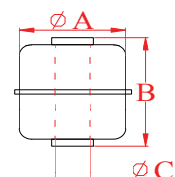
- ▶ Food and pharmaceutical industry
- ▶ Power plant
- ▶ Petrochemical
- ▶ Water treatment
- ▶ Boiler
- ▶ Papermaking

Wiring

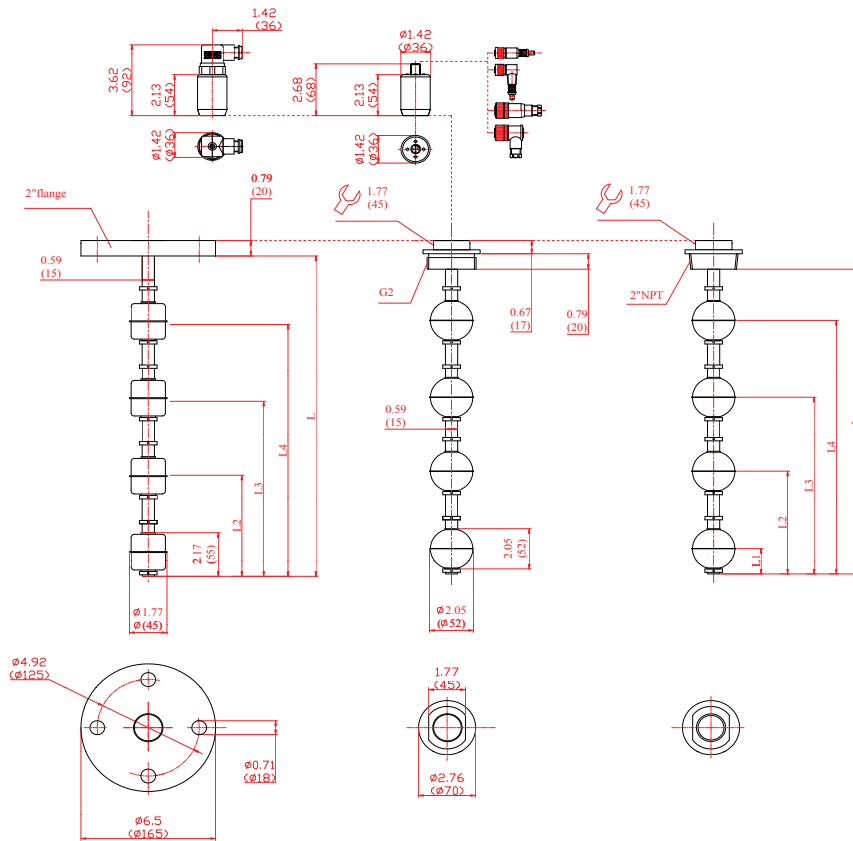
Wiring	Normally opened	Normally closed												
<table border="1"> <thead> <tr> <th>Plug</th> <th>Cable</th> </tr> </thead> <tbody> <tr> <td>1</td> <td>Brown</td> </tr> <tr> <td>2</td> <td>White</td> </tr> <tr> <td>3</td> <td>Blue</td> </tr> <tr> <td>4</td> <td>Black</td> </tr> <tr> <td>5</td> <td>Gray</td> </tr> </tbody> </table> <p>M12×1 plug</p>	Plug	Cable	1	Brown	2	White	3	Blue	4	Black	5	Gray		
Plug	Cable													
1	Brown													
2	White													
3	Blue													
4	Black													
5	Gray													
<table border="1"> <thead> <tr> <th>Plug</th> </tr> </thead> <tbody> <tr> <td>1</td> </tr> <tr> <td>2</td> </tr> <tr> <td>3</td> </tr> </tbody> </table> <p>Solenoid plug</p>	Plug	1	2	3	<p>Note 1: up to 2 floats for the product with solenoid plug. Note 2: NC, NO can be swapped by simply changing the mounting direction.</p> <p>(Normally opened)</p> <p>(Normally closed)</p>									
Plug														
1														
2														
3														

Optional Floaters

Size	Model I	Model II	Model III
A(inch/mm)	1.65 / (42)	2 / (51)	2.05 / (52)
B(inch/mm)	1.97 / (50)	2.44 / (62)	2.76 / (70)
C(inch/mm)	0.61 / (15.5)	0.61 / (15.5)	0.71 / (18)



Dimensions in inches (mm)



Order Code

- LW :** Float level switch
- 200 :** Series#
- 01 :** 1 float
- 02 :** 2 floats
- 03 :** 3 floats (only for the product with M12 plug)
- 04 :** 4 floats (only for the product with M12 plug)
- F :** Flange connection
- G :** G2 male thread
- N :** 2"NPT male thread

LW	200/	03/	F	S	M1000	S	/
----	------	-----	---	---	-------	---	---

S : M12X1 5-pin plug

H : Solenoid plug

MXXXX : Rod length(metric system) L=xxxx mm

IXXXX : Rod length(english system) L=xxxx inch

Note : M1000 means that the rod length is 1000mm with the valid range 940mm.

Float shape

S : Ball

C : Cylinder

Note: Please indicate the length of L1 ...L4.

Special Order on Request

- ▶ Electrical/process connection
- ▶ Float material/size
- ▶ Rod material/length