

CS100- Capacitive Level Switch



- ▶ Pressure resistance up to 60bar
- ▶ Applicable to the conductive/non-conductive/corrosive fluids
- ▶ Optional ex-proof
- ▶ Optional high temperature model

CS100 is designed to measure the limit level of the non-conductive fluids, non-corrosive conductive liquids and moderately corrosive conductive liquids in tanks, vessels, pipes, etc.



Specifications

Electrode Length	30mm
Power Supply	6...30Vdc, 8...9Vdc(ex-proof model)
Pulse Output	
Supply Current	Max. 0.6/7mA(off/on state)
Conversion Current	100mA
Remanent Voltage (On State)	1.8V
Switching Output	
Supply Current	Max. 0.6/7mA(off/on state)
Conversion Current	3.3mA/40mA(Min./Max.)
Remanent Voltage (On State)	6.0V
Output Time Delay	0.1s
Cable	PVC2x0.34mm ² , PVC 3x0.34mm ² (for pulse output)
Temperature	For details, see'Temperature and Pressure Durability'
Material	
Housing	PP (Polypropylene)
Process Connection	303 stainless steel
Rod	303 stainless steel
Coated	PP, FEP(CS100-3)
Protection Class	IP65
Ex-proof Parameters	
Current Supply	≤1 mA/≥2.2mA(state off/on)
Coupling Capacity	44nF
Electric Strength	250Vac
Cable LC Parameters	Typical C<150pF/m; L<0.8μH/m
Electrical Connection	Cable outlet / M12×1 plug

Applications

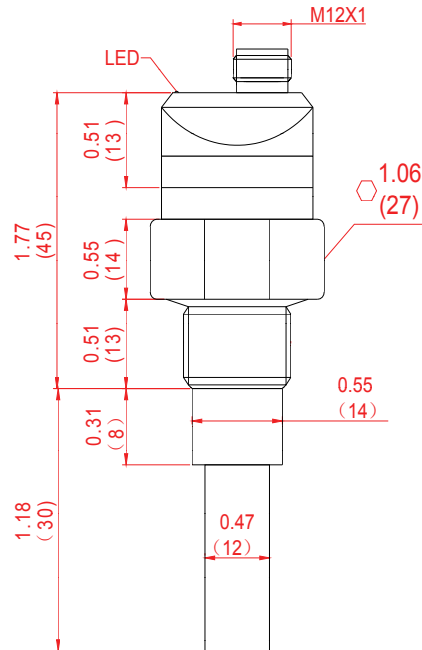
- ▶ Petrochemical industry
- ▶ Energy industry
- ▶ Equipment manufacture
- ▶ Water treatment
- ▶ Hydraulic/lubrication system

Temperature and Pressure resistance

Model	Medium Temperature	Ambient Temperature	Temperature of Process Connection Spot	Max. Operating Pressure for Process Connection Spot		
				30°C	85°C	105°C
CS100-1	-25°C ... 105°C	-20°C ... 80°C	-25°C ... 105°C	8MPa	6MPa	5MPa
CS100-2	-10°C ... 105°C	-10°C ... 80°C	-10°C ... 105°C	7MPa	5MPa	4MPa
CS100-3	-25°C ... 105°C	-20°C ... 80°C	-25°C ... 105°C	8MPa	6MPa	5MPa

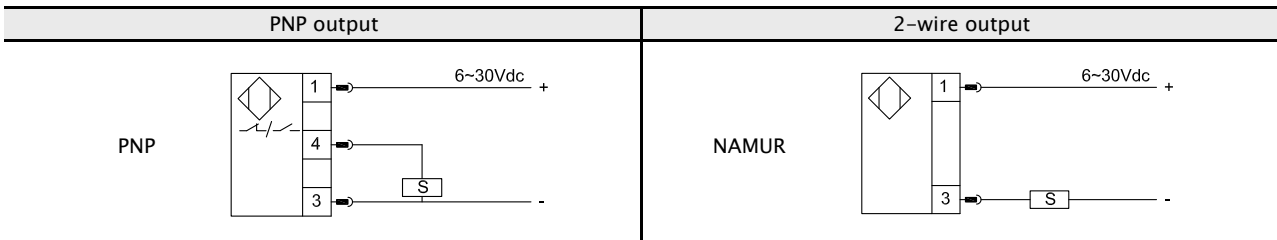
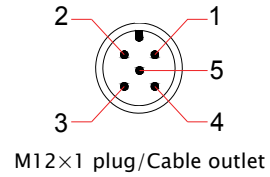
LEVEL

Dimensions in inches (mm)

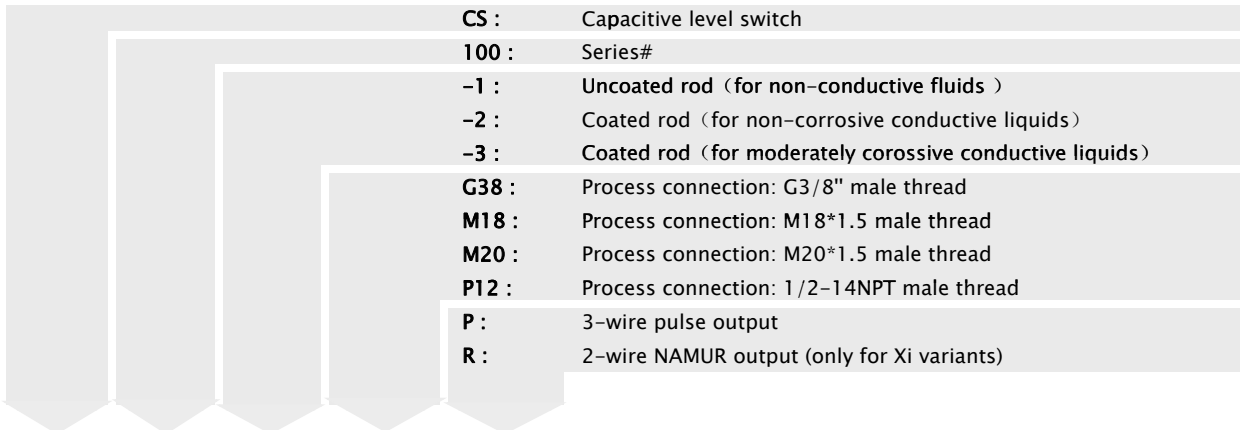


Wiring

Signal	Plug	Cable
U+	1	Brown
U-	3	Blue
Switching output S1	4	Black
Switching output S2	2	White



Order Code



- CS :** Capacitive level switch
- 100 :** Series#
- 1 :** Uncoated rod (for non-conductive fluids)
- 2 :** Coated rod (for non-corrosive conductive liquids)
- 3 :** Coated rod (for moderately corrosive conductive liquids)
- G38 :** Process connection: G3/8" male thread
- M18 :** Process connection: M18*1.5 male thread
- M20 :** Process connection: M20*1.5 male thread
- P12 :** Process connection: 1/2-14NPT male thread
- P :** 3-wire pulse output
- R :** 2-wire NAMUR output (only for Xi variants)

CS	100	-1	G38	P	S	-	N
-----------	------------	-----------	------------	----------	----------	----------	----------

- S :** M12X1 5-pin plug
- C :** Cable outlet
- :** Uncoated
- P :** Coated with PP (for CS100-2)
- F :** Coated with FEP (for CS100-3)
- N :** Standard model
- Xi :** Ex-proof model

Sepecial Order on Request

- ▶ For high temperature model and its parameters please consult the factory.
- ▶ Electrical / process connection

LEVEL