

**LC130 – Capacitive Level Meter with Rope Electrode**

- ▶ Optional intrinsically safe model
- ▶ High pressure resistant
- ▶ High/low temperature resistant
- ▶ Applicable to various media
- ▶ Quick connecting
- ▶ No moving parts

LC130 consists of electronic module and measuring electrode which is determined by type of medium and applications. It can be used to measure the limit level of the fluids or bulk-solid materials in tanks, vessels, etc.

**Specifications**

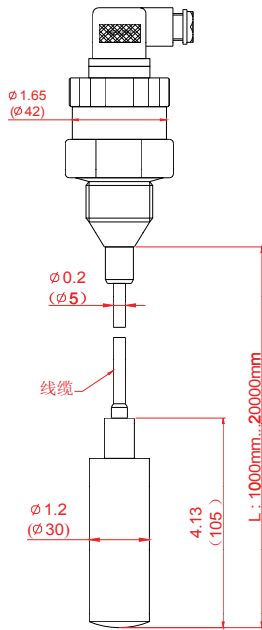
<b>Measuring Range (Rope length L)</b>	≤20m
<b>Applicable Medium</b>	
LC130-1	Bulk-solid materials
LC130-2	Conductive liquids/non-conductive liquids
<b>Current Consumption</b>	
Current Output	Signal current
Voltage Output	About 8mA
<b>Power Supply</b>	
Current/Voltage Output	9...36Vdc/16...36Vdc
<b>Current Analog Output</b>	
Output	2-wire 4...20mA
Load RA	R <sub>max</sub> =750Ω
<b>Voltage Analog Output</b>	
Output	3-wire 0...10V
Load RA	R <sub>min</sub> >1KΩ
<b>Sensitivity Ranges(PF)</b>	20; 30; 50; 100; 150; 300; 500; 1000
<b>Initial Capacity Regulation Ratio</b>	Min. 1: 2
<b>Linearity</b>	Max. 1%
<b>Temperature Error</b>	Max. 0.05%/K
<b>Voltage Error</b>	
Current Output	Max. 0.3uA/V
Voltage Output	Max. 0.1mV/V
<b>Temperature</b>	
Ambient	-40...85°C
Medium	-40...250°C (LC130-1) /-40...130°C (LC130-2)
<b>Material</b>	
Housing	304 stainless steel
Rope	316L stainless steel(LC130-1)/Zinc steel(LC130-2)
Coated	FEP (only for LC130-2)
Insulating Bushing	PTFE
<b>Protection Class</b>	IP65/IP67
<b>Electrical Connection</b>	Solenoid plug
<b>Explosion Proof Parameters</b>	
Grade	Ex ia IIB T5
Power Supply	9...30Vdc
Temperature Range	-20...60°C (0 zone)
Pressure Range	0.08 ... 0.11 MPa (0 zone)



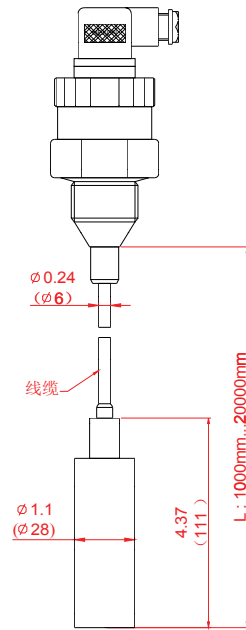
**Applications**

- ▶ Level measuring
- ▶ Material level measuring
- ▶ Petrochemical industry
- ▶ Energy industry
- ▶ Water treatment
- ▶ Hydraulic system

### Dimensions in inches (mm)

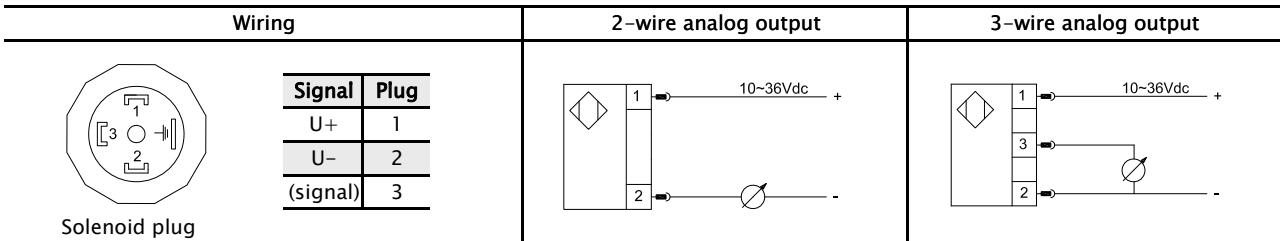


Standard

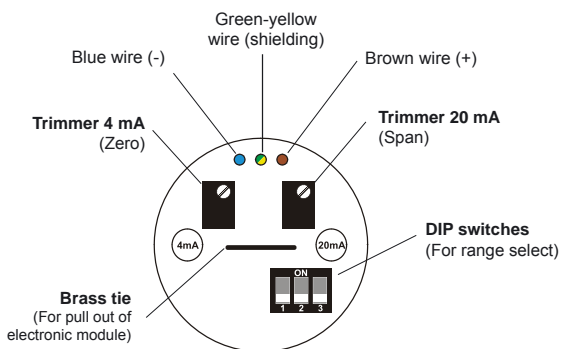


Coated

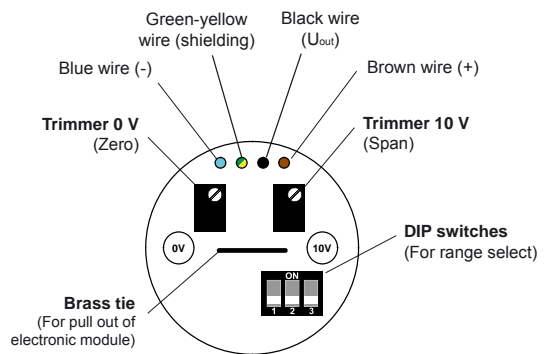
### Wiring



### Adjustment Elements



The top view on the internal electronic module for current output



The top view on the internal electronic module for voltage output

Order Code

<b>LC :</b>	Capacitive level meter
<b>130 :</b>	Series# - rope
<b>-1 :</b>	Standard
<b>-2 :</b>	With coated rope
<b>M36 :</b>	M36*2 male thread for process connection
<b>G1 :</b>	G1 male thread for process connection
<b>42 :</b>	2-wire 4 ... 20mA current analog output
<b>10 :</b>	3-wire 0 ... 10mA voltage analog output

<b>LC</b>	<b>130/</b>	<b>-1/</b>	<b>G1/</b>	<b>42</b>	<b>H</b>	<b>M1000</b>	<b>N</b>
-----------	-------------	------------	------------	-----------	----------	--------------	----------

<b>H :</b>	Solenoid plug
<b>MXXXX :</b>	Rope length(metric system) L=xxxx mm
<b>IXXXX :</b>	Rope length(english system) L=xxxx inch
<b>N :</b>	Non-explosion proof model
<b>Xi :</b>	Explosion proof model

Sepecial Order on Request

- ▶ Electrical / process connection