

LF100 – Vibrating Fork Level Switch



- ▶ No moving parts
- ▶ Measuring unaffected by medium density or electrical parameters
- ▶ Stainless steel wetted parts
- ▶ Power supply DC / AC selectable
- ▶ Relay output, NC / NO programmable
- ▶ Applicable to the liquid or solid
- ▶ 2 electrical heads (compact / rugged) selectable



The LF100 is based on the principle of a tuning fork. A piezo-electric crystal oscillates the forks at their natural frequency. The frequency of the vibrating fork sensor changes depending on the medium in which it is immersed, this change is monitored and converted to standard electrical signals. Operating is unaffected by medium conductivity, turbulence, stirring, bubbles and vibrating. No moving parts enables it to be used in most tough applications.

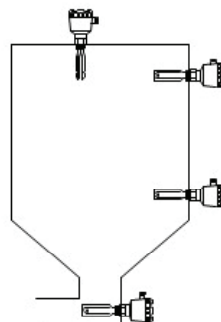
Specifications

Applicable Medium	Liquid or bulk-solid
Medium Density	$\geq 0.6g/cm^3$
Pressure Rating	20bar
Adjustable Delay	1...20s(only for rugged model)
Response Time	1s
Power Supply	
DC	24±10% Vdc
AC	110Vac or 220Vac
Power Consumption	≤1W
Switching Output	
Output	Relay (NC/NO programmable)
Load	AC220V (110V) /3A, DC 30V/3A
Wiring Protection	Reverse polarity
Temperature	
Operating/Medium	-20...+85°C
Material	
Compact/Rugged Housing	304 stainless steel/cast aluminum
Fork	316 stainless steel
Protection Class	IP65
Electrical Connection	
Compact/Rugged Housing	Solenoid plug / terminals

Applications

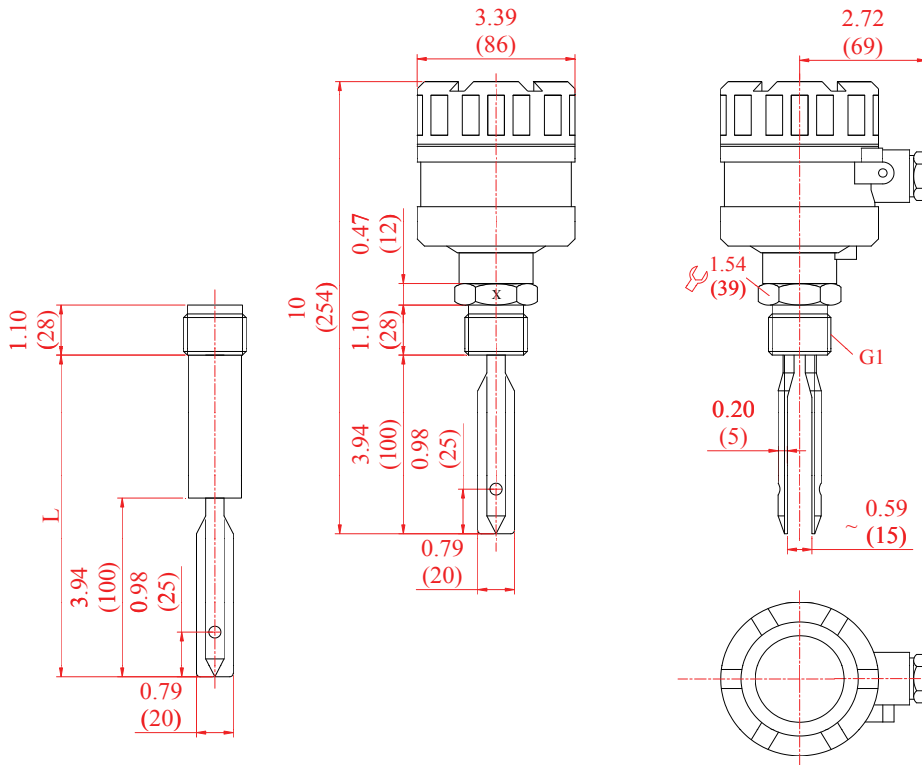
- ▶ Hydraulic/Lubrication system
- ▶ Cooling system
- ▶ Paper making
- ▶ Water treatment
- ▶ Food/beverage industry
- ▶ Pump protection

Installation



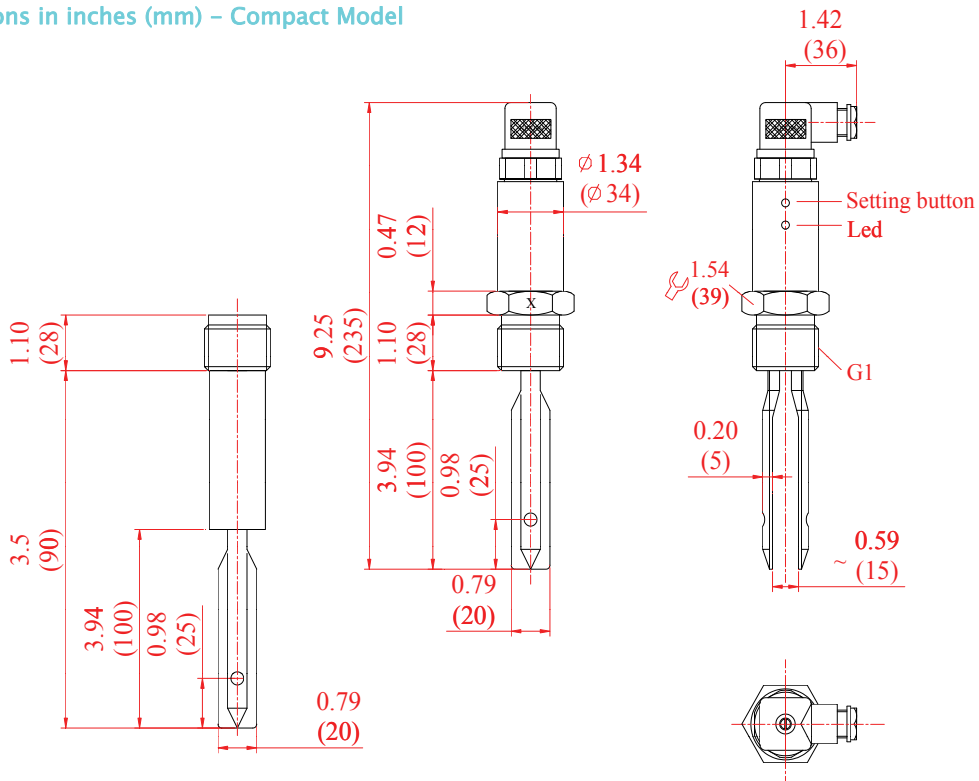
LEVEL

Dimensions in inches (mm) – Rugged Model



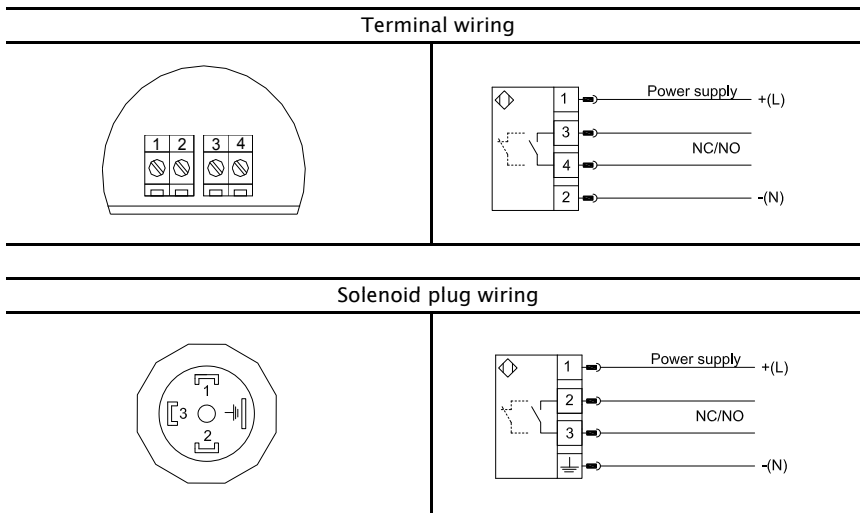
Extended Fork

Dimensions in inches (mm) – Compact Model



Extended Fork

Wiring



Order Code

LF100 :	Vibrating fork level switch
024 :	DC 24V
110 :	AC 110V
220 :	AC 220V
G1 :	G1 male thread
R1 :	R1 male thread
N1 :	1"NPT male thread
R :	Rugged housing
C :	Compact housing

LF100/	024	G1	C	S	100
---------------	------------	-----------	----------	----------	------------

- S :** Standard fork
- E :** Extended fork

- MXXXX :** Metric system L=xxxx mm
- IXXXX :** English system L=xxxx inch

Note : This fork length L is needed only when an extra length fork is ordered; for standard fork, leave it blank.

Sepecial Order on Request