

FVX700S – Sanitary Vortex Flow Meter



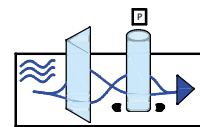
- ▶ Applicable to food and pharmaceutical industry
- ▶ Standard tri-clamp connection
- ▶ Stainless steel structure
- ▶ Operating temperature up to 250°C
- ▶ Optional 4...20 mA current output and pulse output



FVX700S is based on Karman vortex effect to work. A columnar object that goes through the entire cross-section of the meter tube creates a vortex when a flow is present. The frequency of the vortex is proportional to flow. FVX700S is specially designed for food sanitation industry and widely used in gas, steam and liquid applications. No moving part; Integral display for instantaneous and total flow; 4...20mA or pulse output.

Specifications

Measuring Range	Please see "Technical Data"
Applicable Medium	Water, gaseous, steam
Linearity	Gas/steam ≤ 1.5% of measuring range; water ≤ 0.7% of measuring range
Repeatability	≤ ±0.5% of measuring range
Power Supply	10...25Vdc
Current Consumption	≤ 20mA
Output	
Pulse	NPN, PNP
Analog	4...20mA (load ≤ 300Ω@12Vdc, 600Ω@24Vdc)
Wiring Protection	Reverse polarity
Ambient Temperature	-20...70°C
Medium Temperature	-40...250°C
Pressure Rating	25bar
Protection Class	IP65
Materials	
Electrical Housing	316L stainless steel
Connection Thread	316L stainless steel
Body	316L stainless steel
Sensor	316L stainless steel
O-ring	NBR
Electrical Connection	M12x1 plug



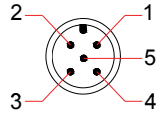
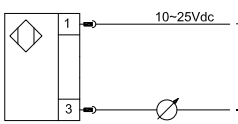
Applications

- ▶ Food industry
- ▶ Pharmaceutical industry
- ▶ Brewing industry

Wiring 1 – Pulse Output

Wiring	PNP output	NPN output												
<table border="1" style="margin-left: 20px;"> <thead> <tr> <th>Signal</th> <th>Plug</th> <th>Cable</th> </tr> </thead> <tbody> <tr> <td>U+</td> <td>1</td> <td>Brown</td> </tr> <tr> <td>Pulse</td> <td>4</td> <td>Black</td> </tr> <tr> <td>U-</td> <td>3</td> <td>Blue</td> </tr> </tbody> </table> <p>M12 plug</p>	Signal	Plug	Cable	U+	1	Brown	Pulse	4	Black	U-	3	Blue		
Signal	Plug	Cable												
U+	1	Brown												
Pulse	4	Black												
U-	3	Blue												

Wiring 2 – Analog Output

Wiring	4...20mA (2-wire) output									
 <p>M12x1 plug</p> <table border="1" style="margin-left: auto; margin-right: auto;"> <thead> <tr> <th>Signal</th> <th>Plug</th> <th>Cable</th> </tr> </thead> <tbody> <tr> <td>U+</td> <td>1</td> <td>Brown</td> </tr> <tr> <td>U-</td> <td>3</td> <td>Blue</td> </tr> </tbody> </table>	Signal	Plug	Cable	U+	1	Brown	U-	3	Blue	
Signal	Plug	Cable								
U+	1	Brown								
U-	3	Blue								

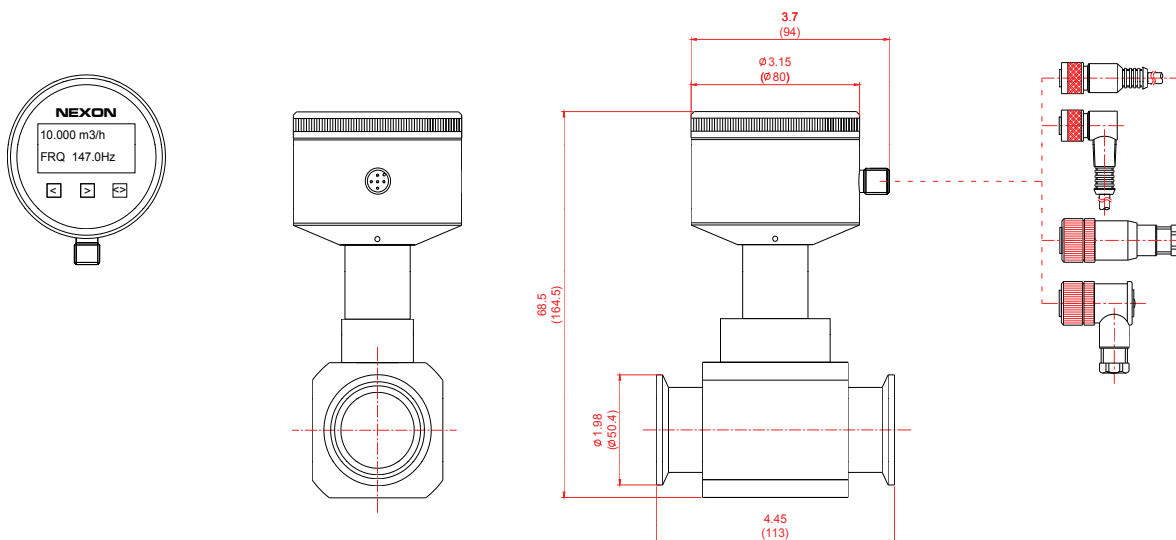
Technical Data

Measuring Range (water m ³ /h)	Nominal Diameter
0.9...10	1"(DN25)
2.5...26	1-1/2"(DN40)
3.5...38	2"(DN50)

Measuring Range (steam m ³ /h)	Nominal Diameter
12...120	1"(DN25)
30...300	1-1/2"(DN40)
50...500	2"(DN50)

Measuring Range (compressed air m ³ /h)	Nominal Diameter
9.6...96	1"(DN25)
24...240	1-1/2"(DN40)
40...400	2"(DN50)

Dimensions in inches (mm)



Order Code

FLOW

FVX :	Vortex flow meter
700 :	Series #
S :	Sanitary model
DN25/40 :	Tri-clamp connection DN50.5mm
DN50 :	Tri-clamp connection DN64mm
-01 :	Pipe size - 1"
-112 :	Pipe size - 1-1/2"
-02 :	Pipe size - 2"

FVX	700	S	DN25	- 01	P	S	010	L
------------	------------	----------	-------------	-------------	----------	----------	------------	----------

P :	3-wire pulse output
A :	2-wire 4...20mA current output
S :	M12×1 plug
Measuring Range (for details please see technical data)	
010 :	0.9...10m ³ /h
026 :	2.5...26m ³ /h
038 :	3.5...38m ³ /h
L :	Liquid
G :	Gaseous
S :	Steam

Special Order on Request